

StarLED M2

Redefining emergency lighting



LED Technology Lifetime Lamp Warranty

- Discrete Architectural Design for today's built environments
- Lower Carbon Footprint using only 2.5W of power with smaller batteries and other components
- HiTemp NiCad sub-C Batteries
- 85 Lumens/Watt (Typical 10W TH Lamp = 13 Lumens/Watt)
- Exceptional Photometric Performance with an AS2293 Classification of D20/D20
- Lifetime Lamp Warranty
- Improved Tamper and Sprinkler Resistance
- Fits 67mm to 85mm c/out
- Retrofit plates for larger diameter holes

More Innovation From



Leaders in Emergency Lighting Technology



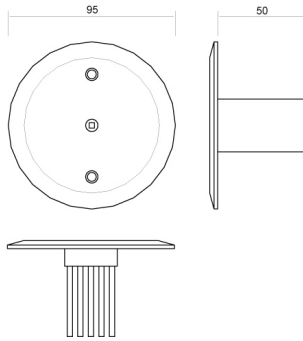
StarLED M2

STEP INTO THE FUTURE!

The development of new LED technologies now makes it possible to achieve the same lighting levels with less than 50% of the energy no incremental cost over current practice.

This capability comes with the additional benefits of:-

- Lifetime Lamp Warranty
- Lower running cost for life
- Lower recycling costs due to smaller battery pack and electrical components.
- Excellent battery life extending service intervals to 5 years or more.
- Slim-line design and extended use of plastics reducing vulnerability to tampering and sprinkler damage



ORDERING INFORMATION

Detailed specification details including IES files available for download from our website www.safescape.net.nz

StarLED M2 RANGE	TESTING OPTIONS			PHOTOMETRICS	
	Description	Standard	Clevertest	Zoneworks	C ₀
<i>Standard features:- Dual-rate Charge, high-temp Ni-Cd batteries, lifetime lamp warranty, recessed c/w flex & plug</i>					
Recessed Round	PLIFEM2	DLIFEM2	ZLIFEM2	D20	D20
Recessed Round Black	PLIFEM2-BLK	DLIFEM2-BLK	ZLIFEM2-BLK	D20	D20
Surface Mounted Square	PLIFEM2-SMS	DLIFEM2-SMS	ZLIFEM2-SMS	D20	D20
Surface Mounted Square Black	PLIFEM2-SMS-BLK	DLIFEM2-SMS-BLK	ZLIFEM2-SMS-BLK	D20	D20
Surface Mounted Cylinder	PLIFEM2-SMC	DLIFEM2-SMC	ZLIFEM2-SMC	D20	D20
Surface Mounted Cylinder Black	PLIFEM2-SMC-BLK	DLIFEM2-SMC-BLK	ZLIFEM2-SMC-BLK	D20	D20
Surface Mount IP65 Integral Gear	PLIFEM2-IP	DLIFEM2-IP	ZLIFEM2-IP	D20	D20
Surface Mount IP65 Remote Gear	PLIFEM2-IP-REM	DLIFEM2-IP-REM	ZLIFEM2-IP-REM	D20	D20
<i>NB: Factory standard colours are Black or White, however face-plate can be removed to be refinished any colour or effect without affecting performance and AS2293 compliance. Please contact us for information.</i>					
Large Hole Adaptor Plate	PLIFEM2-ADP-LG	146mm Ø to suit retro-fitting into hole cut-outs up to 130mm Ø			

Due to a constant programme of product development we reserve the right to make design changes at any time without notice



DIMENSIONS:

Head: 95mm Ø

Head depth: 50mm

Control pack: L 232mm x W 36mm x H 38mm

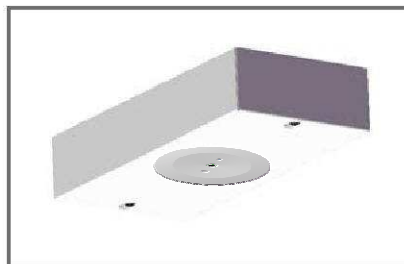
Battery pack: L 130mm x W 42mm x H 24mm

Hole cut-out: 78/85mm Ø

This product is a REGISTERED DESIGN



Retro-fit adaptor plates available for existing small and large hole cut-outs



Surface mounted square StarLED
LxWxH (mm): 267 x 128 x 55

Visit our Website for further information on StarLED and other Clevertronics Products
www.safescape.net.nz



Safescape (NZ) Ltd
P O Box 34-674, Birkenhead
North Shore City 0746
New Zealand
t:- +64 9 482 1231
f:- +64 9 482 1232
e:- support@safescape.net.nz
www.safescape.net.nz